

The logo for siloadmax, featuring the word "siloadmax" in a sans-serif font. The "i" and "l" are white, "o" is orange, "a" is black, "d" is white, "m" is orange, "a" is black, "x" is white, and a blue diamond shape is positioned to the right of the "x".

siloadmax

A circular callout with an orange-to-white gradient. The text is arranged in a circular pattern around a central percentage.

HANDLING OF BULK MATERIALS
UP TO
75%
QUICKER

A circular callout with a blue-to-white gradient. The text is arranged in a circular pattern around a central percentage.

PACKAGING & TRANSPORT COSTS
ALMOST
50%
LOWER

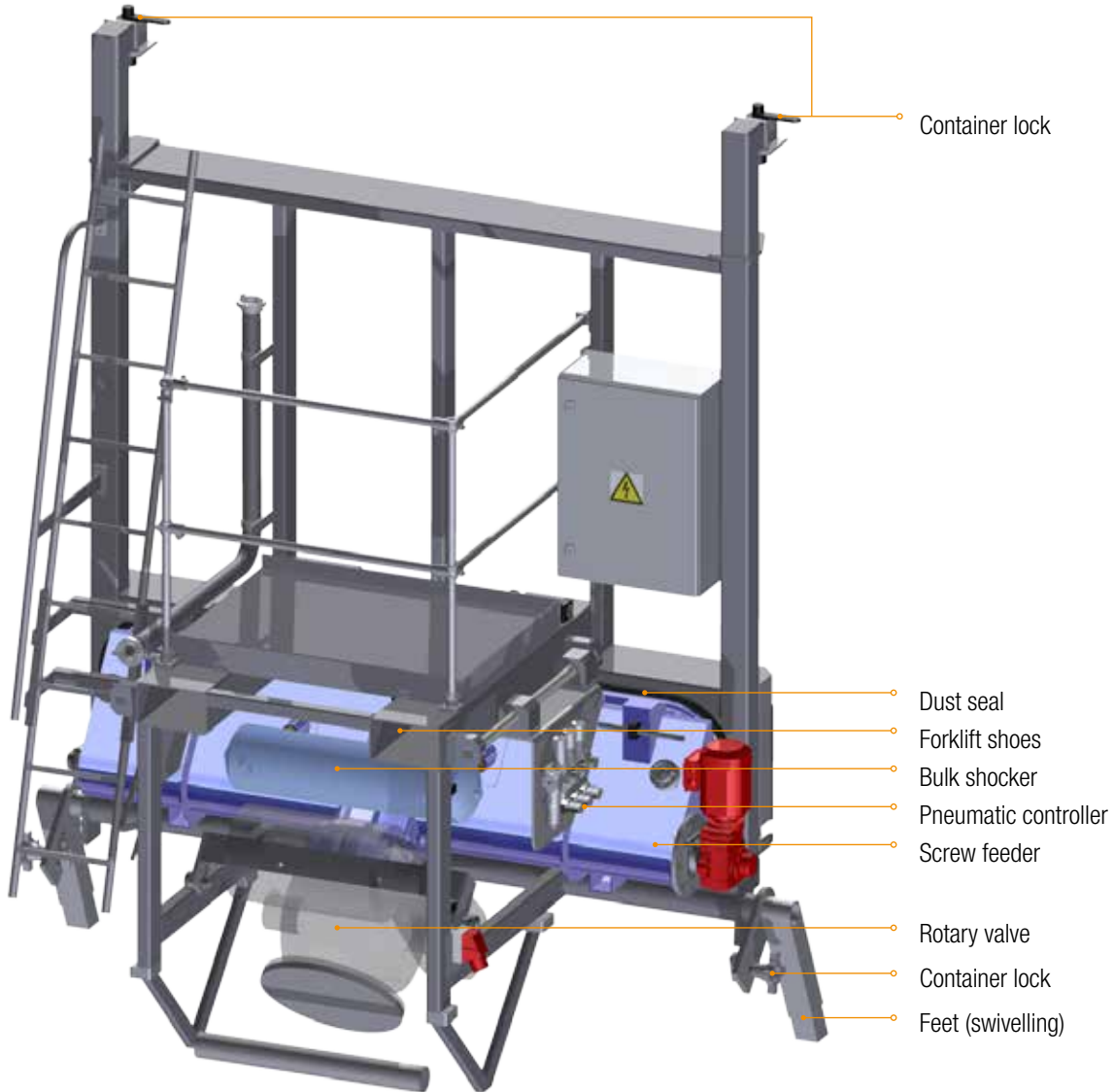
**THAT'S HOW EASY WE HAVE MADE
UNLOADING BULK MATERIALS**

UP TO 75% QUICKER HANDLING OF BULK MATERIALS
WITH ALMOST 50% LOWER PACKAGING & TRANSPORT COSTS

The advantages of direct bulk unloading

Quick unloading directly from the container

THE SILOADMAXX® UNLOADING SYSTEM CQF - CONTAINER QUICK FLOW

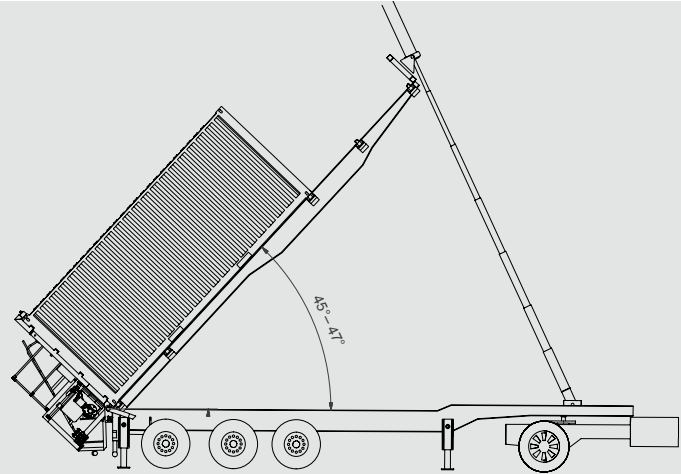


Unloading possibilities

Dust-free and without loss of material

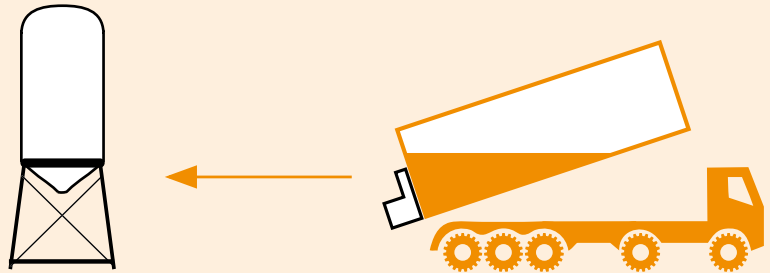
CQF – THE FUTURE OF UNLOADING BULK MATERIALS

- Unloading from a standard container, eg into a vertical silo with the highest material and quality standards
- Hygienic and material-friendly loading of fine dust, food or pharmaceutical products
- Complete, clean and fast unloading of sticky and even compacting materials

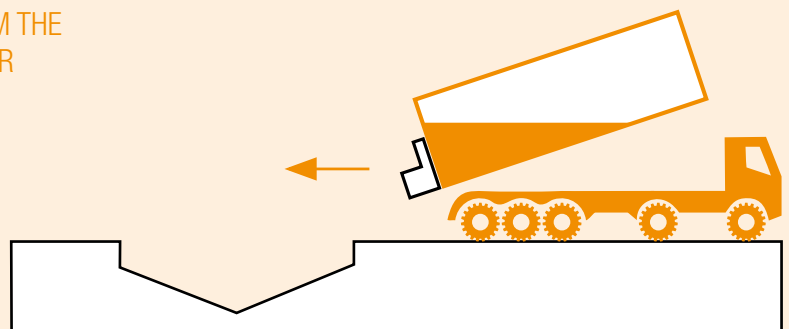


Siloadmaxx® unloading logistics

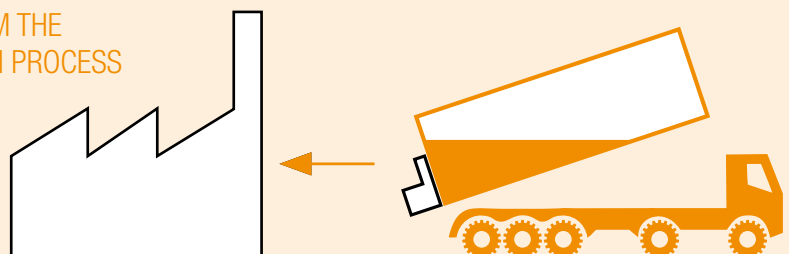
UNLOADING BULK MATERIAL DIRECTLY FROM THE CONTAINER INTO A VERTICAL SILO



UNLOADING BULK MATERIAL DIRECTLY FROM THE CONTAINER INTO AN UNDERGROUND BUNKER



UNLOADING BULK MATERIAL DIRECTLY FROM THE CONTAINER JUST IN TIME INTO PRODUCTION PROCESS





Konzept & Design: www.haberko-rn-medien-design.de

siloadmaxx 

Siloadmaxx® rental & sales GmbH
Im Wiesengrund 11
D-56244 Sessenhausen
Deutschland

Phone : +49 (0) 26 24 - 94 370 44
Telefax: +49 (0) 26 24 - 94 370 48
E-Mail: info@siloadmaxx.com
Internet: www.siloadmaxx.com

Advantages of the ContainerQuickFlow (CQF) System

- Dust-free loading and unloading of extremely dusty, powdery or sticky materials
- Fewer unloading steps
- Protection of materials from external influences (damp, pollution) with the Siloadmaxx® SuperBag system
- Higher exploitation of loading capacities with the SX loading concept
- Use of existing standard transport solutions (ISO Containers, inter-modal transport)
- Higher savings potential throughout the entire supply chain